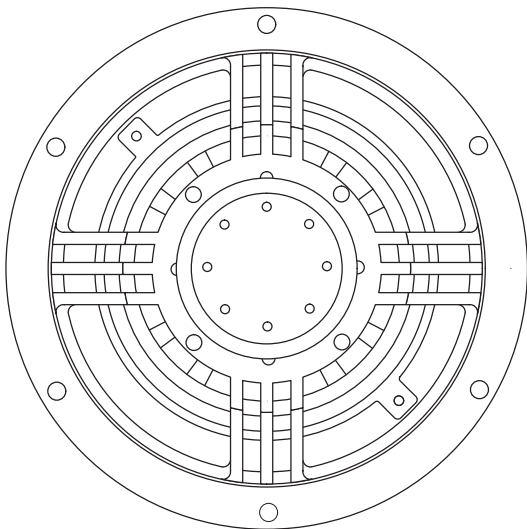
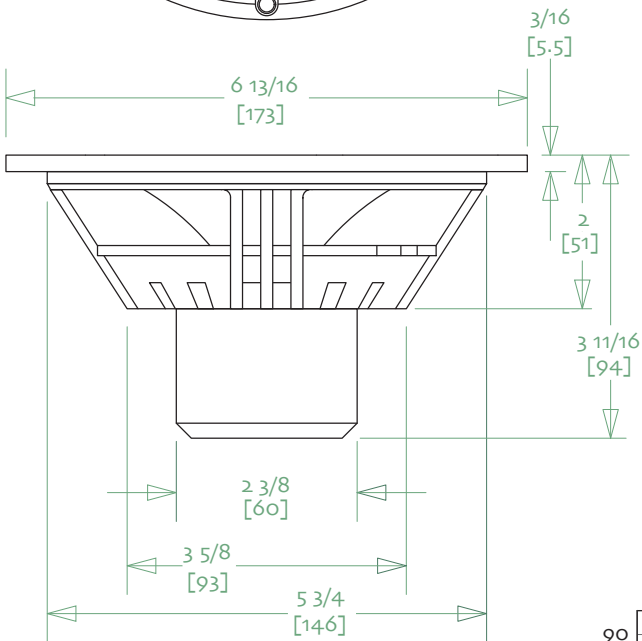
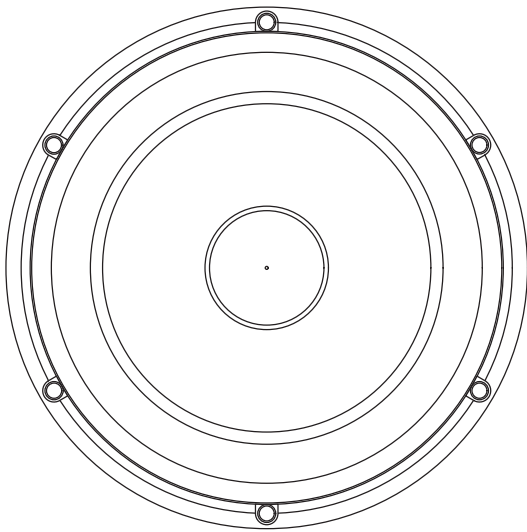


# CREATIVE SOUND SOLUTIONS SDX7 WOOFER

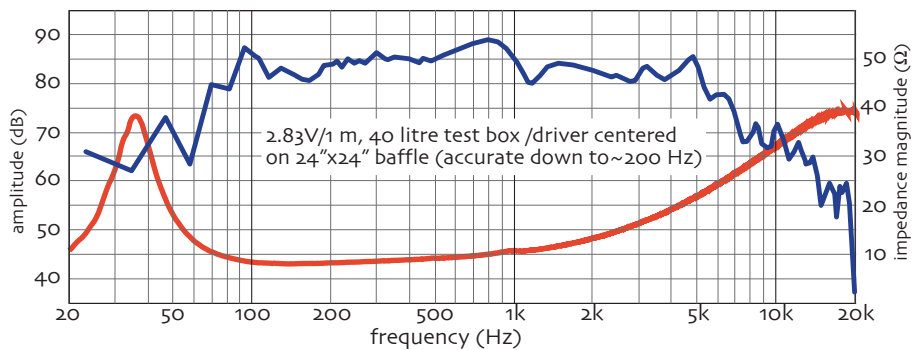
## XBL<sup>2</sup>™ Power 7" Woofer

The SDX7 was designed as a drop in replacement for Adire Extremis 6.8 from 600 Hz down (i.e. in 3-way designs or subwoofers) with significantly improved performance. See the application notes for recommended enclosure designs.

- low mass woven carbon fiber cone with rubber surround
- high power, low inductance design based on the patented\* XBL<sup>2</sup>™ motor topology used under license, with dual Neodymium slug magnets
- 4 layer 1.5" voice coil
- solid pole piece, machined copper phase plug and axial gap vents for reduced thermal compression & low aerodynamic noise
- high excursion suspension
- attractive cast aluminum basket design with narrow spokes & substantial under spider venting
- high quality gold plated terminals



mounted flush to a 3/4" (19 mm) baffle  
driver takes up ~ 0.1 litres



creative sound solutions  
44-31255 Upper Maclure Rd  
Abbotsford, BC Canada V2T 5N4  
☎ 604-504-3954

www.creativesound.ca

CSS SDX7 XBL<sup>2</sup>™ Thiele/Small Parameters

$F_s$ (Hz)	34.0	$X_{max}$ (one way)	11.1 mm
$Q_{es}$	0.41	$S_d$ (cm <sup>2</sup> )	128
$Q_{ms}$	2.2	$L_e$	0.75
$Q_{ts}$	0.35	BL NA	8.5
$V_{as}$ (litres)	23.8	$M_{ms}$ (g)	21.9
$R_e$ (Ω)	6.4	SPL (dB@1W 1m)	85.0

\*US patent #7,039,213