

Creative Sound Solutions TRIO12 Subwoofer

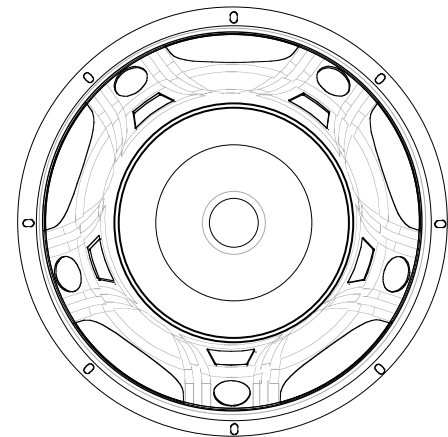
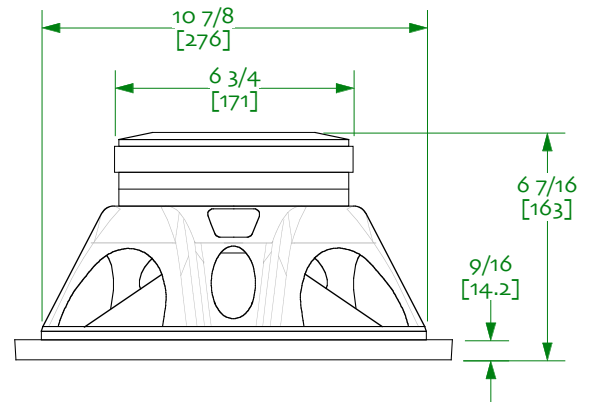
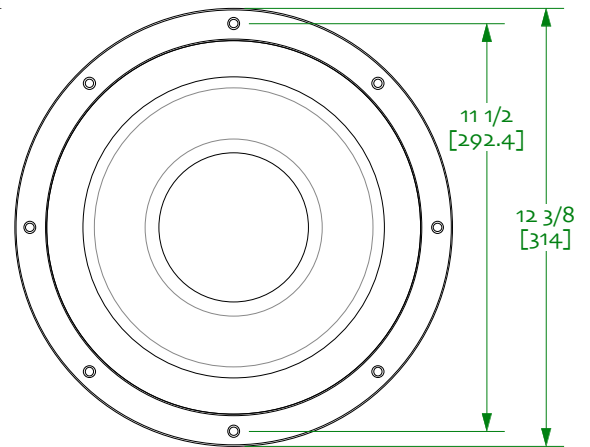


Creative Sound Solutions is pleased to introduce their latest 12" subwoofer which continues the budget line started with the TRIO8. This speaker is ideal for a variety of cabinet loading designs including the usual alignments as well as a horn loaded design which will be released shortly. Listed below are the primary features:

- pressed carbon fibre reinforced paper cone
- NBR surround, Nomex and cotton spider
- XBL™ double-gap motor structure
- high-excursion low-inductance design
- high power 2.25" aluminium voice coil on black anodized split aluminum former
- brass shorting ring in the top plate, aluminum inside the magnet
- proven cost effective stamped steel basket
- designed to match and work with the CSS APR™ passive radiators

CSS TRIO12 Thiele/Small Parameters

F_s (Hz)	22.0	V_{as} (litres)	97	R_e (Ω)	4.0
Q_{es}	0.46	S_d (cm^2)	491	SPL (dB@1W 1m)	85.6
Q_{ms}	6.4	X_{max} (one way)	20	L_e	1.9
Q_{ts}	0.43	BL	NA	M_{ms} (g)	181



creative sound solutions

44-31255 Upper Maclure Rd
Abbotsford, BC Canada V2T 5N4
☎ 604-504-3954

www.creativesound.ca