



# Quartet 12 Subwoofer Kit B

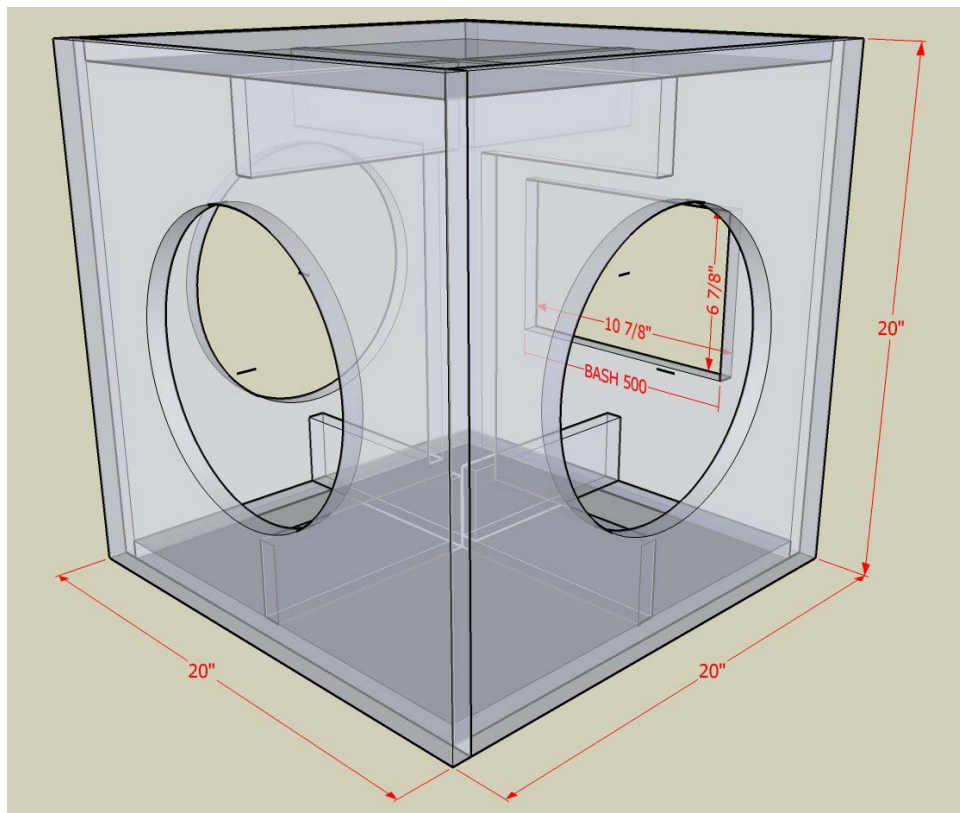
The main advantage of this kit is the very good output. Depending on flush mounting or grills this is essentially a 20" cube. This assumes  $\frac{3}{4}$ " (19mm) wall thickness.

The kit contains the following:

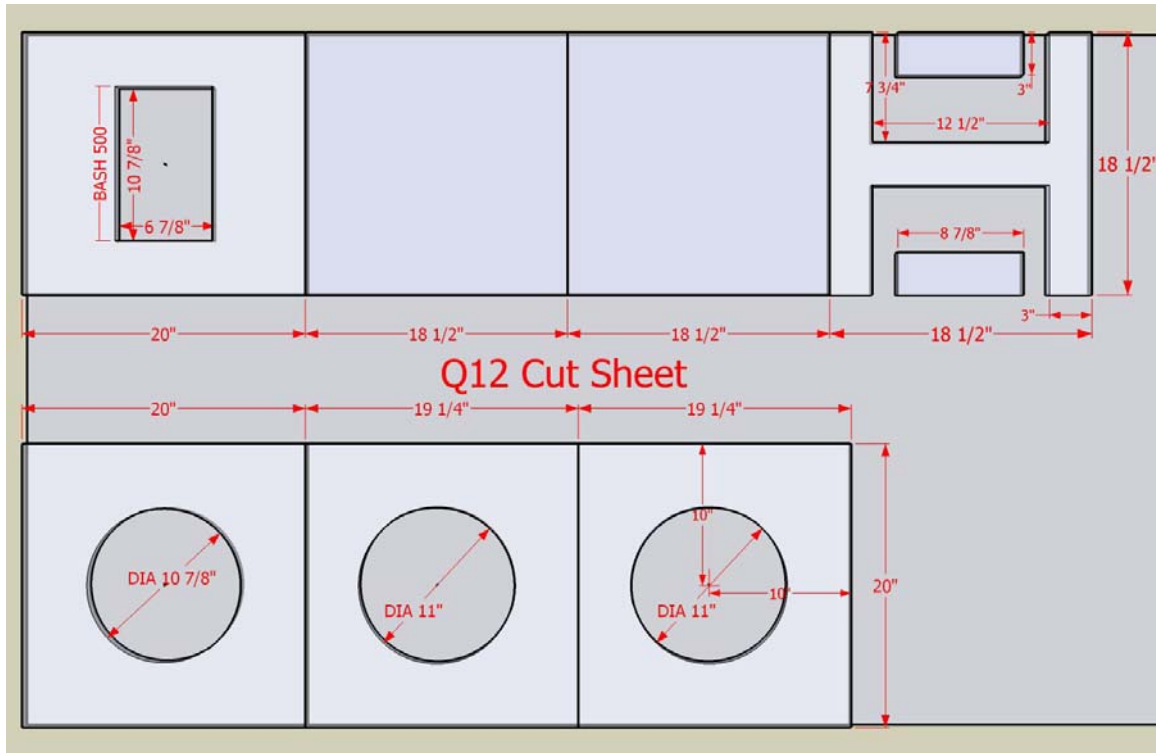
- 1 CSS TRIO12 woofer
- 2 CSS APR12 passive radiators (including disk kits)
- 1 BASH500 plate amplifier (modified for this application)
- 24 1.5" mounting bolts and hurricane nuts
- A set of 4 cabinet feet with appropriate hardware
- 10 screws to mount the plate amplifier



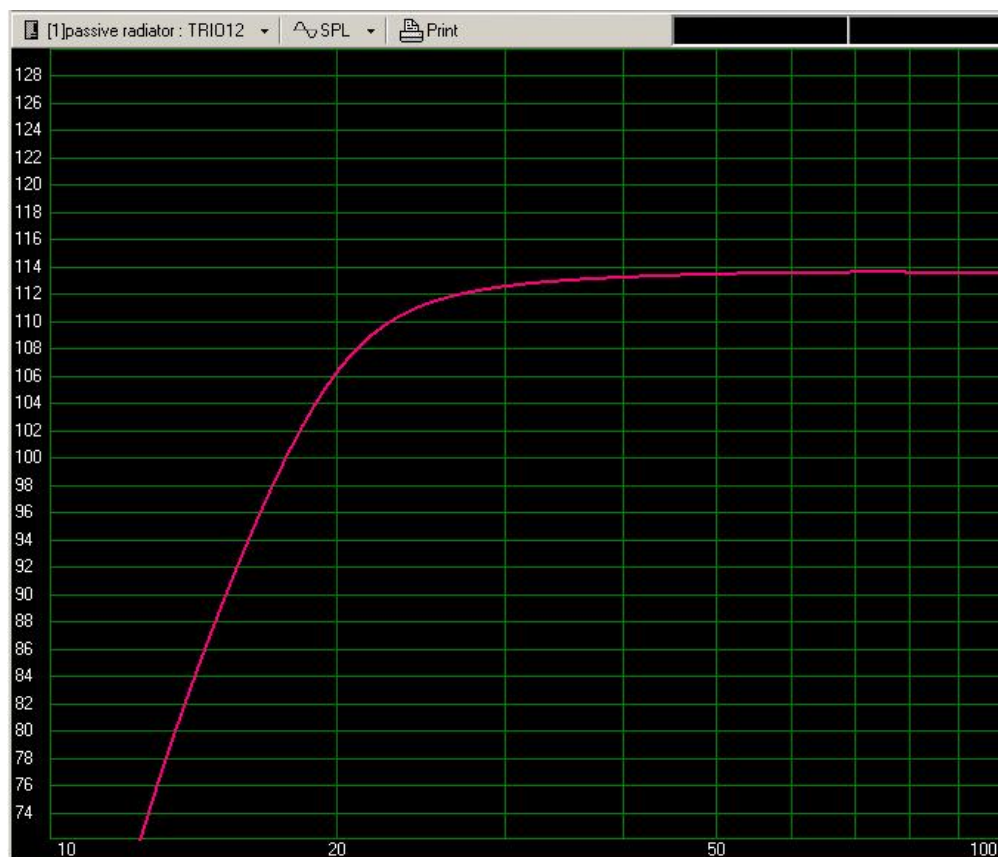
**OPTIONS: Add an Antimode 8033 for \$250. Please email for ordering details.**



The cutting layout below assumes that the components are surface mounted rather than flush mounted.



Simulated output for the sub is below. This takes into account the modified amplifier included with the kit.



TRIO12 in 92 liters net volume – tuned to 21.5Hz

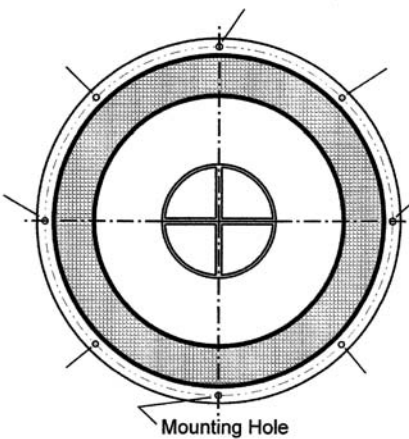
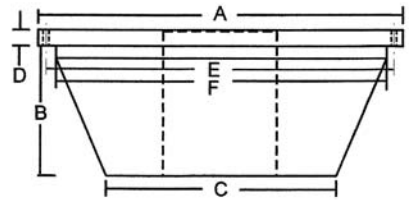
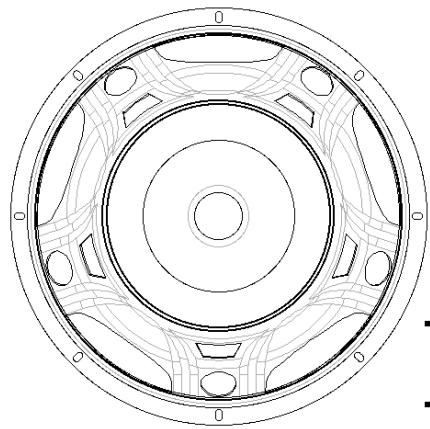
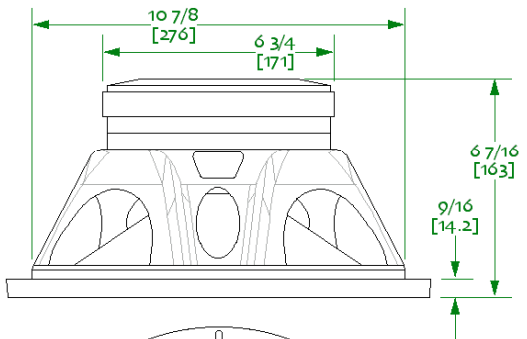
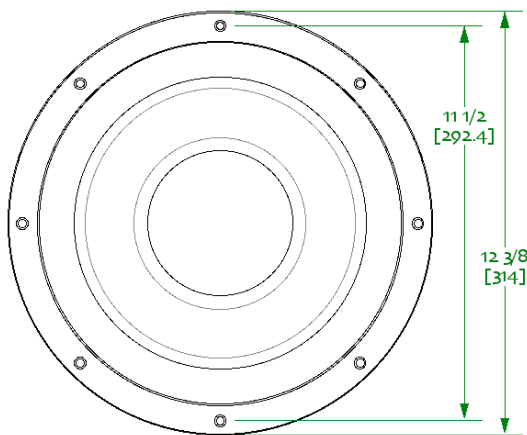
20 inch external cube

Bash 500

HPF 18.7 hz

1 db boost 25-30 hz

500 watts to reach Xmax  
450 grams added to each PR



Mounting Dimensions

	10"	12"	15"
A	260	313	390
B	80	97.8	137
C	150	180	170
D	12	13.5	17
E	248	295.2	374
F	232	280	354

All dimensions in millimetres  
Mounting Holes 5 x 8 mm



TRIO12 Subwoofer dimensions

drawn by did | 30-september-2009