



Quartet 15 Subwoofer Kit

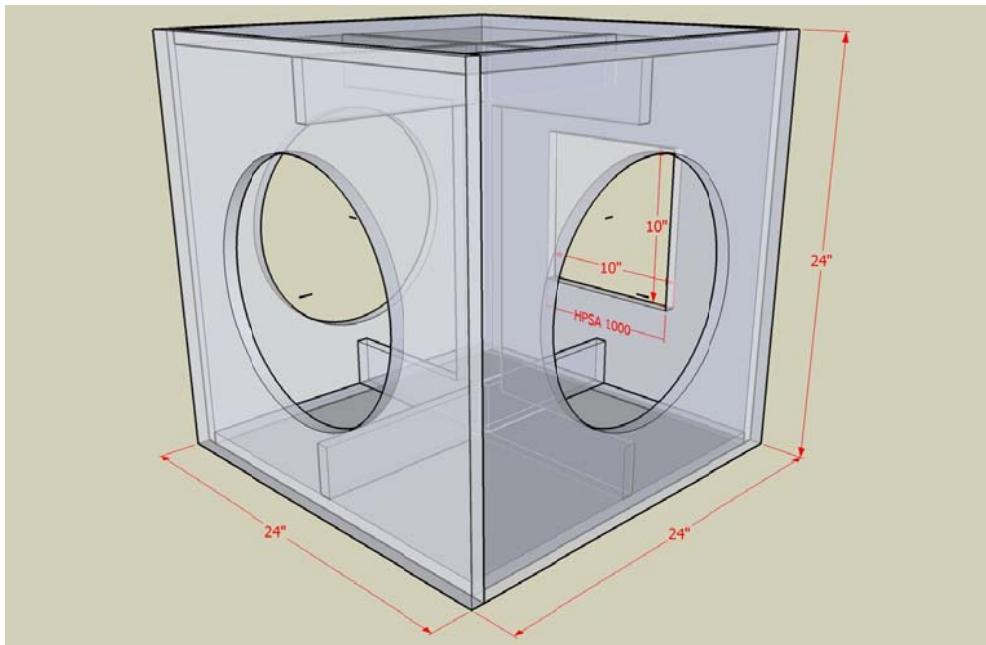
The main advantage of this kit is the very good output. Depending on flush mounting or grills this is essentially a 24" cube. This assumes 3/4" (19mm) wall thickness.

The kit contains the following:

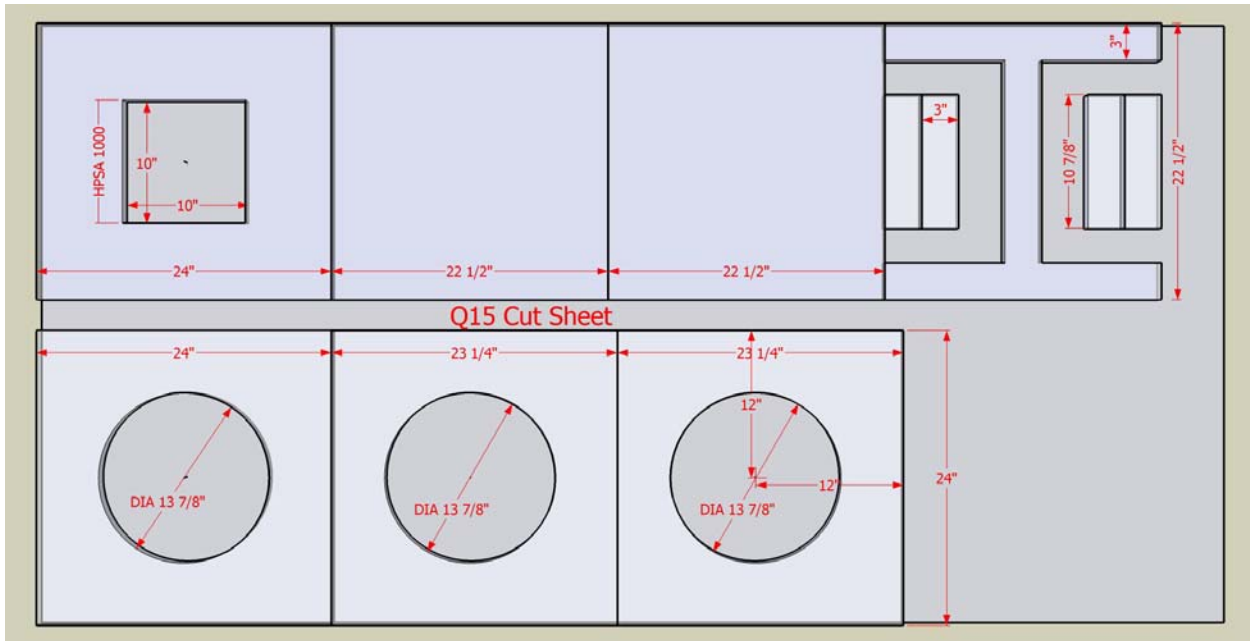
- 1 CSS SDX15 woofer
- 2 CSS APR15 passive radiators (including disk kits)
- 1 HPSA1000 plate amplifier
- 24 1.5" mounting bolts and hurricane nuts
- A set of 4 cabinet feet with appropriate hardware
- 10 screws to mount the plate amplifier



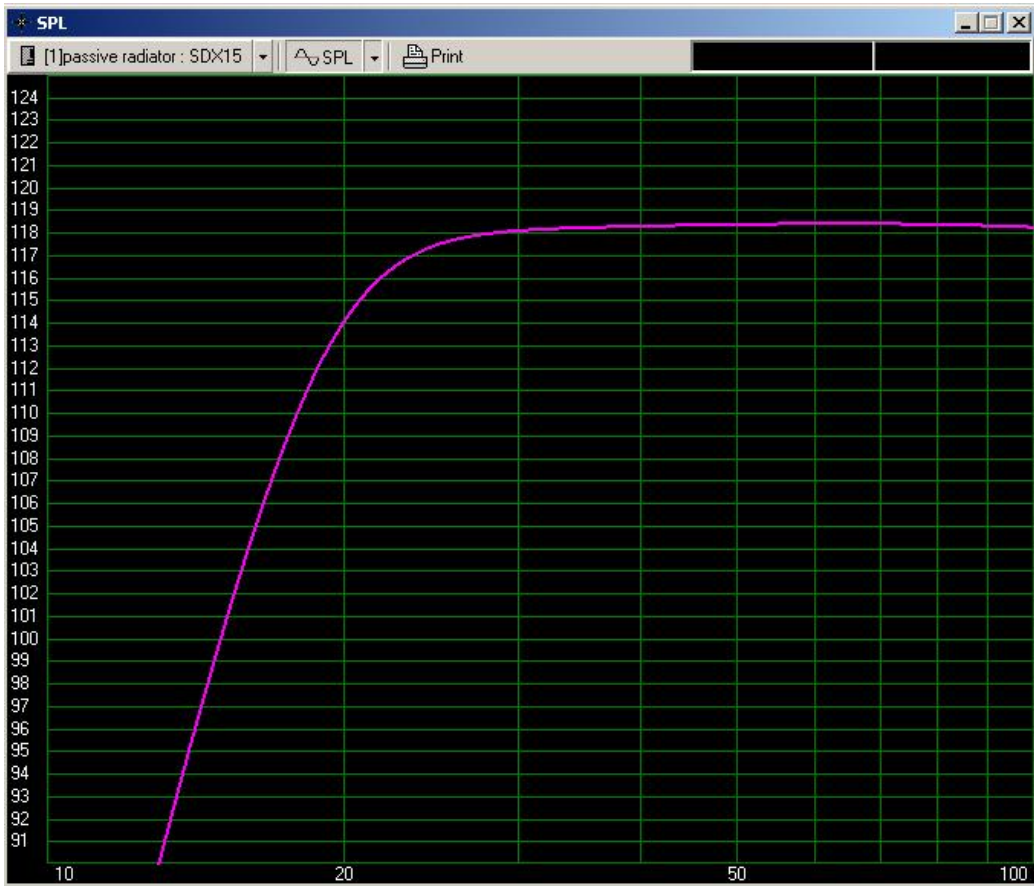
OPTIONS: Add a Reckhorn F-1 for \$20 or a B-1 for \$30. Please email for ordering details.



The cutting layout below assumes that the components are surface mounted rather than flush mounted.



Simulated output for the sub is below. SPL, Cone excursion and APR excursion



SDX15 in 175 liters

24 inch external cube

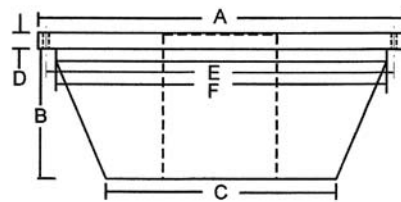
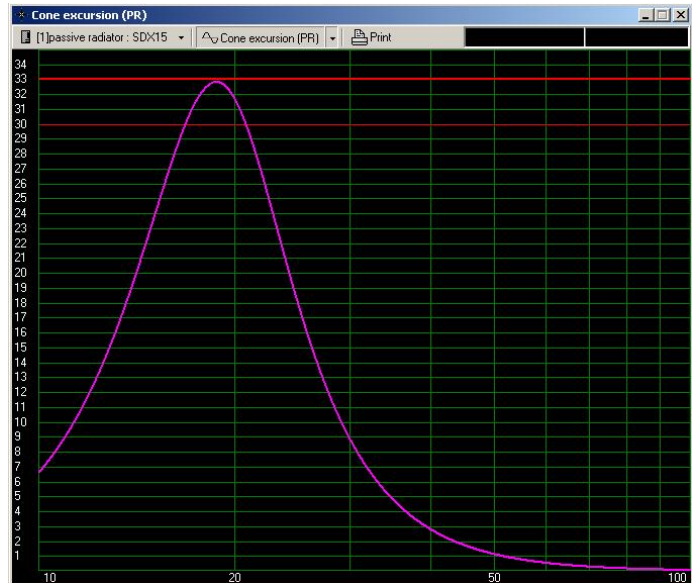
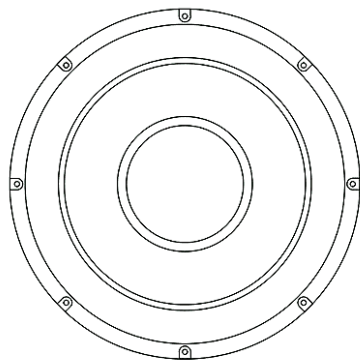
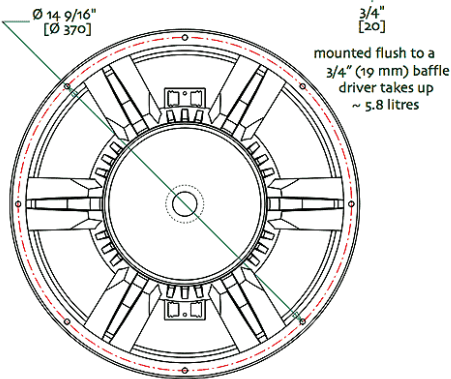
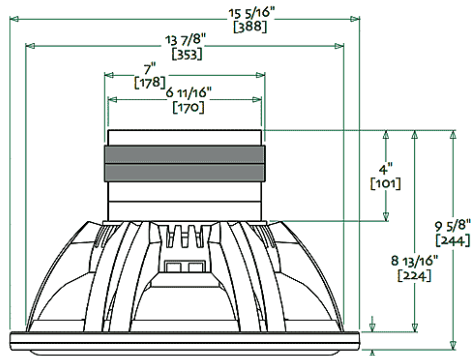
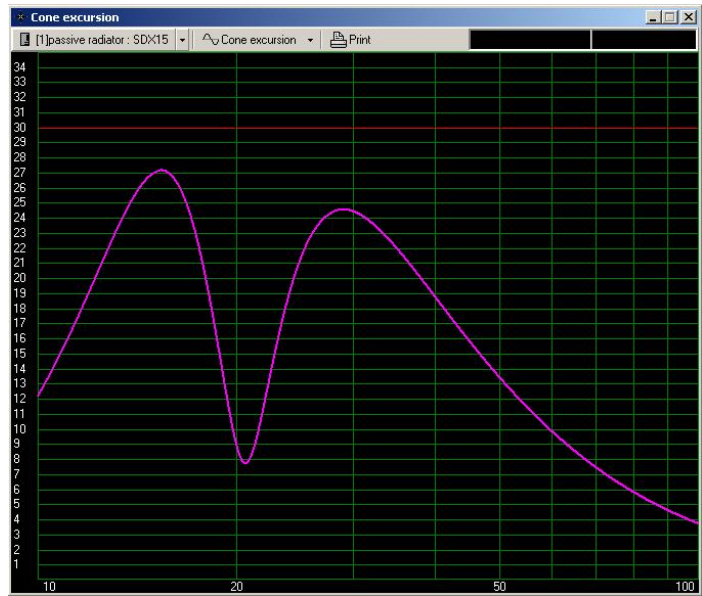
HPSA1000 HPF 18 hz

HPF 18 hz (factory default)

2 db boost 18 hz

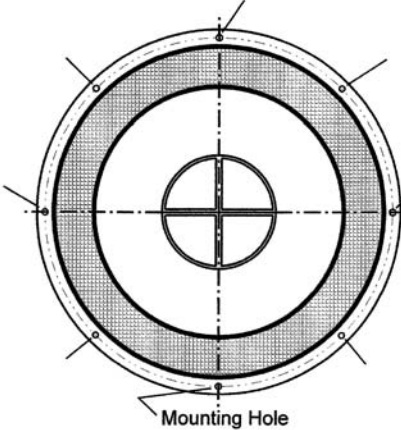
1000 watts Sub Xmax not reached, PR's Xmax reached

600 grams added to PR



Mounting Dimensions

	10"	12"	15"
A	260	313	390
B	80	97.8	137
C	150	180	170
D	12	13.5	17
E	248	295.2	374
F	232	280	354



All dimensions in millimetres
Mounting Holes 5 x 8 mm