



Quartet 8 Subwoofer Kit

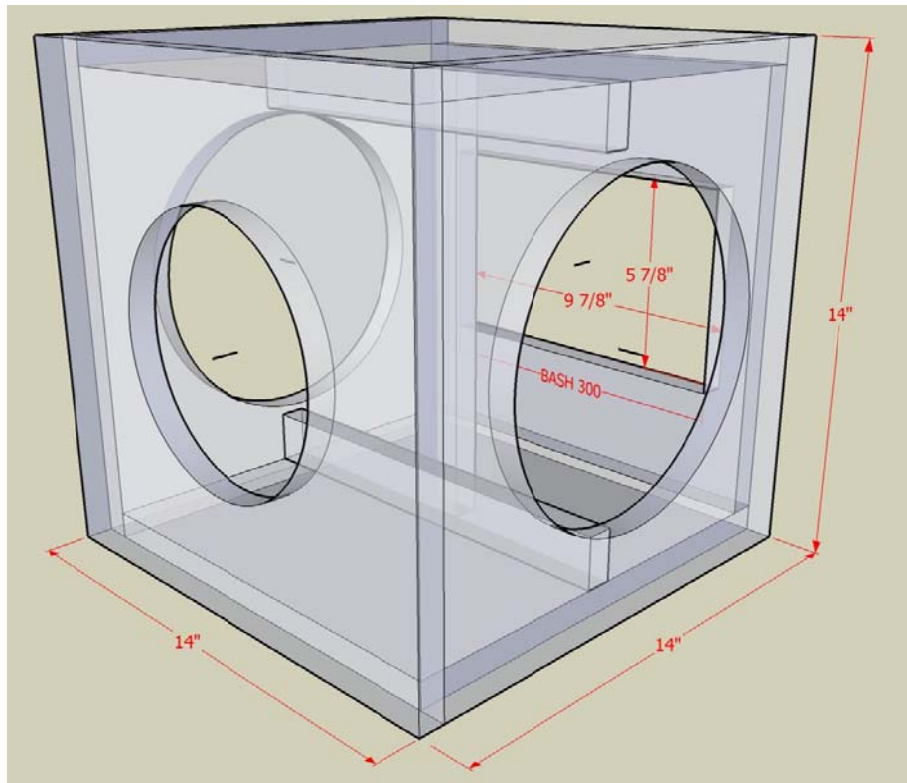
The main advantage of this kit is the small cabinet footprint. Depending on flush mounting or grills this is essentially a 14" cube. This assumes $\frac{3}{4}$ " (19mm) wall thickness and it would be possible to use $\frac{5}{8}$ " or $\frac{1}{2}$ " for those sides where there are no cut-outs or even for the back with the plate amplifier. If you use thinner material then bracing is advised.

The kit contains the following:

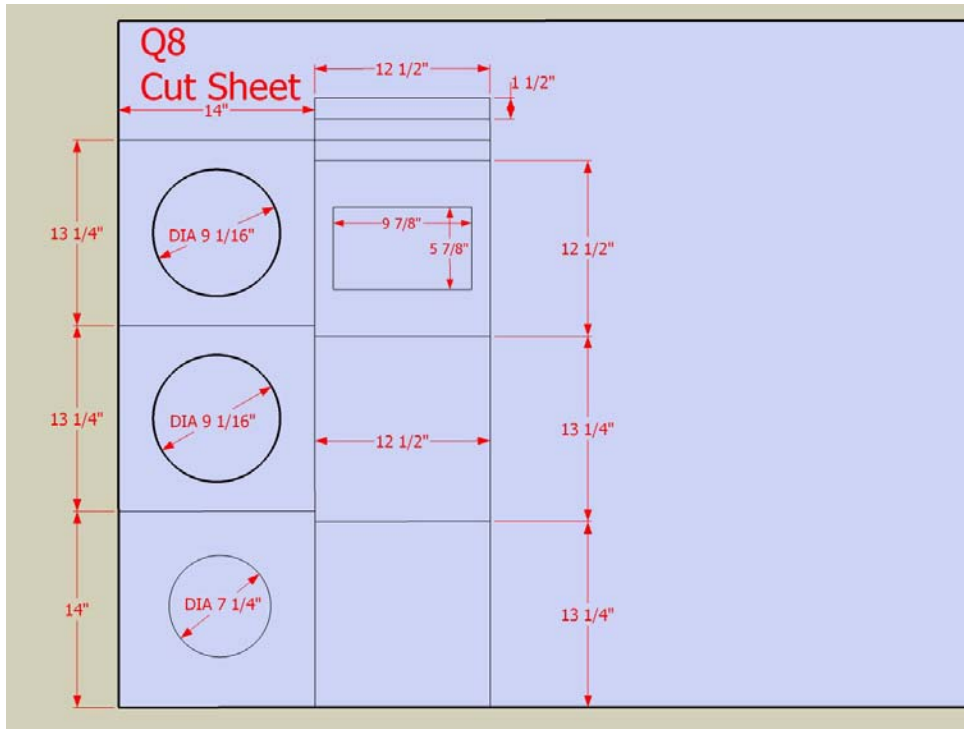
- 1 CSS TRIO8 woofer
- 2 CSS APR10 passive radiators (including disk kits)
- 1 BASH300 plate amplifier (modified for this application)
- 24 1.5" mounting bolts and hurricane nuts
- A set of 4 cabinet feet with appropriate hardware
- 10 screws to mount the plate amplifier



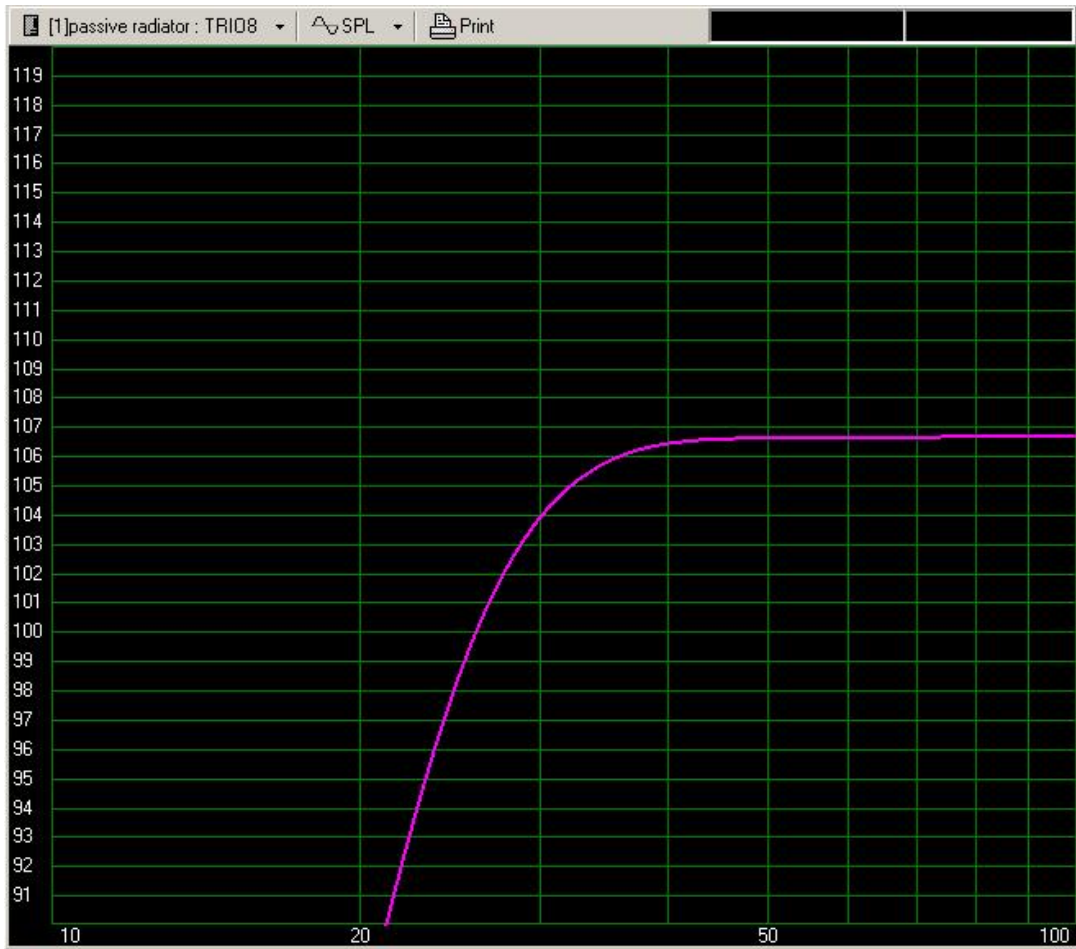
OPTIONS: Add a Reckhorn F-1 for \$20 or a B-1 for \$30. Please email for ordering details.



The cutting layout below assumes that the components are surface mounted rather than flush mounted.



Simulated output for the sub is below. This takes into account the modified amplifier included with the kit.



TRIO8 in 28 Liters net volume – tuned to 27Hz.

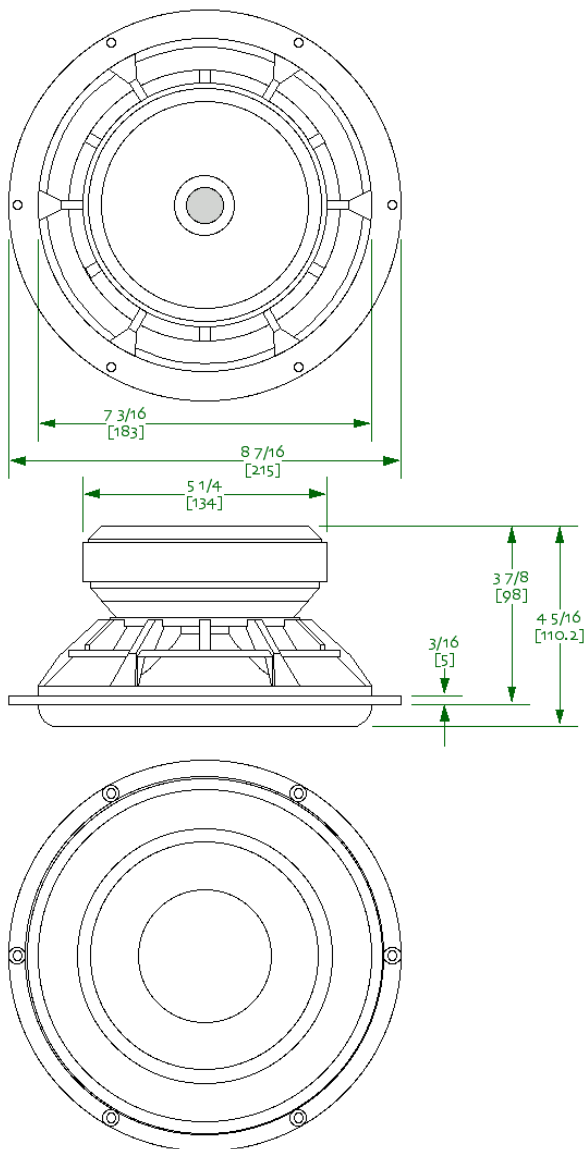
Two APR 10's with 360 grams added to each {8 disks).

Input power 150 watts. (Bash 300)

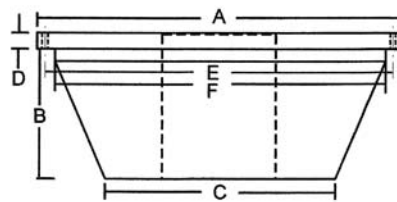
HPF at 25 hz.

2 db boost from 31 - 35 hz.

Trio 8 dimensions

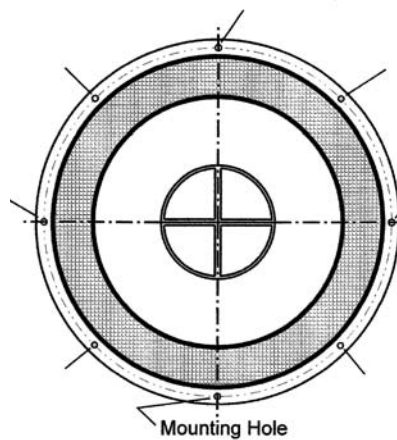


APR dimensions



Mounting Dimensions

	10"	12"	15"
A	260	313	390
B	80	97.8	137
C	150	180	170
D	12	13.5	17
E	248	295.2	374
F	232	280	354



All dimensions in millimetres
Mounting Holes 5 x 8 mm

Finished Quartet 8 build, follow the link left below for all the details. Please email for finish options and pricing.



<http://picasaweb.google.com/JoeSamorodin/TheSugarCube?feat=email#>