

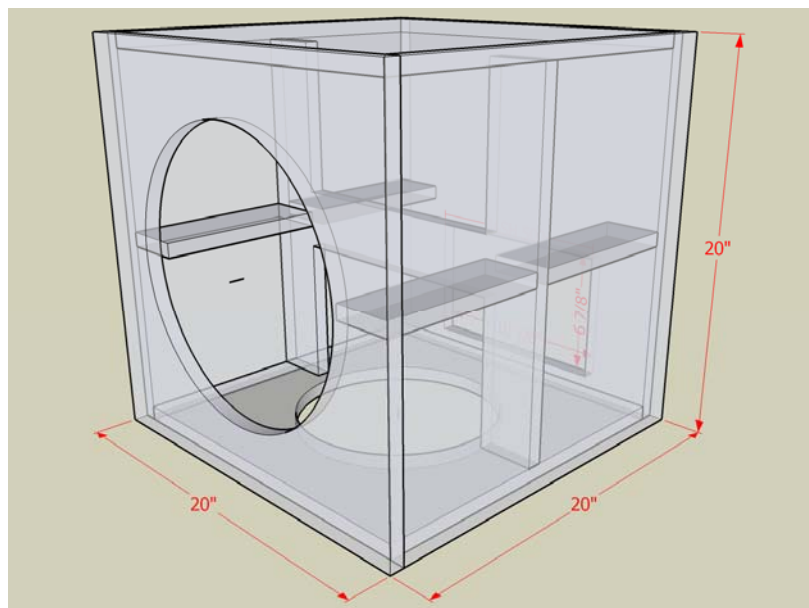


TRIO 12/APR 15 Subwoofer Kit

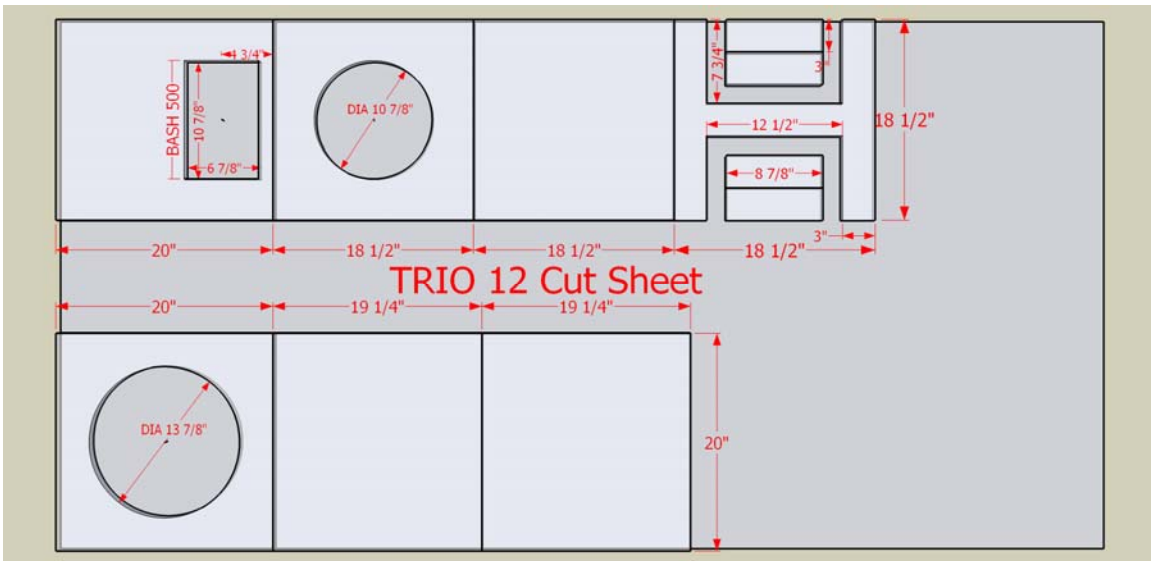
The main advantage of this kit is the very good output. Depending on flush mounting or grills this is essentially a 20" cube. This assumes $\frac{3}{4}$ " (19mm) wall thickness.

The kit contains the following:

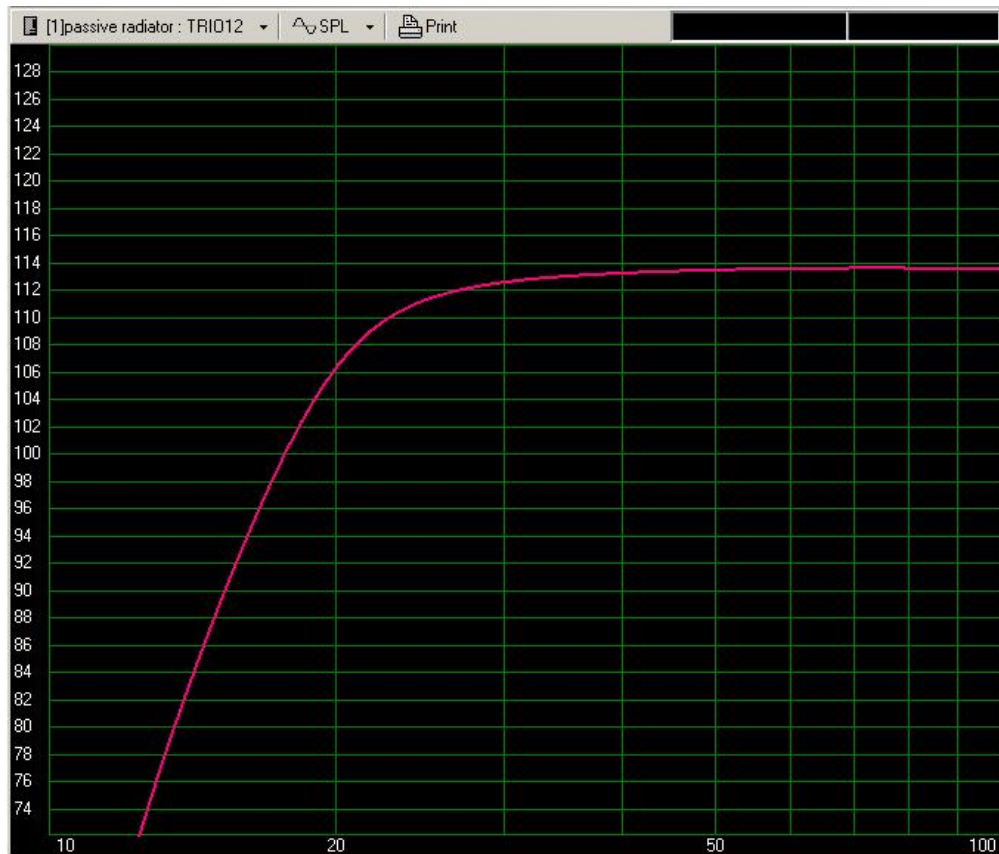
- 1 CSS TRIO12 woofer
- 1 CSS APR15 passive radiators (including disk kits)
- 1 BASH500 plate amplifier (modified for this application)
- 24 1.5" mounting bolts and hurricane nuts
- A set of 4 cabinet feet with appropriate hardware
- 10 screws to mount the plate amplifier



The cutting layout below assumes that the components are surface mounted rather than flush mounted. Note that the TRIO12 is mounted downfiring which is the best arrangement with a single APR install.



Simulated output for the sub is below. This takes into account the modified amplifier included with the kit.



TRIO12 in 92 liters net volume – tuned to 21.5Hz

20 inch external cube

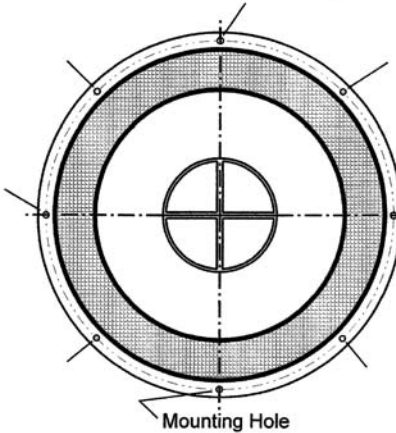
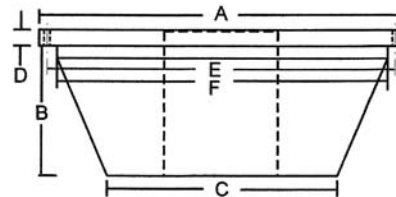
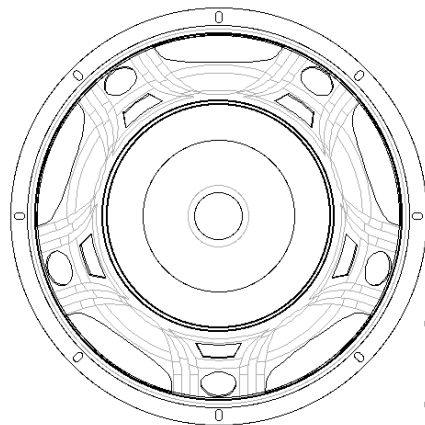
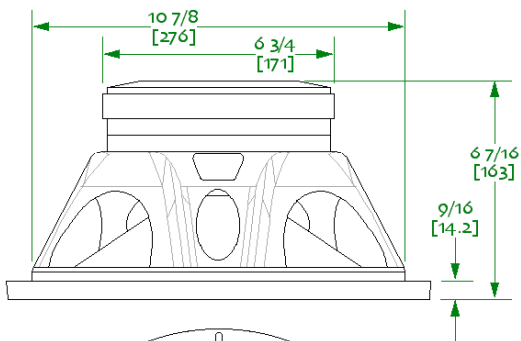
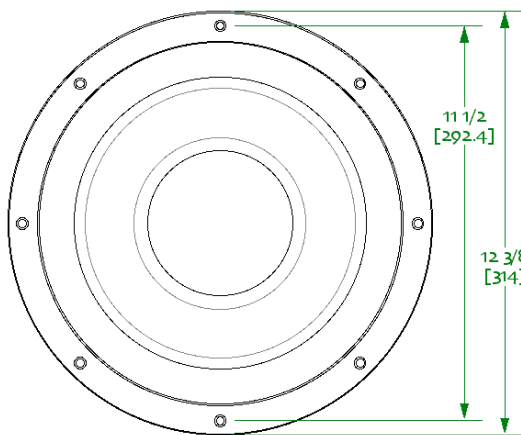
Bash 500

HPF 18.7 hz

1 db boost 25-30 hz

500 watts to reach Xmax

495 grams (11 washers) added to the PR



Mounting Dimensions

	10"	12"	15"
A	260	313	390
B	80	97.8	137
C	150	180	170
D	12	13.5	17
E	248	295.2	374
F	232	280	354

All dimensions in millimetres
Mounting Holes 5 x 8 mm



TRIO12 Subwoofer dimensions

drawn by did | 30-september-2009